

Matrix Technical Support Mailer – 13
Eternity & Eternitylite V6





30.11.2007





Dear friends,

We have released new firmware V6 for Eternity & EternityLite and many channel partners are started doing V6 upgradation.

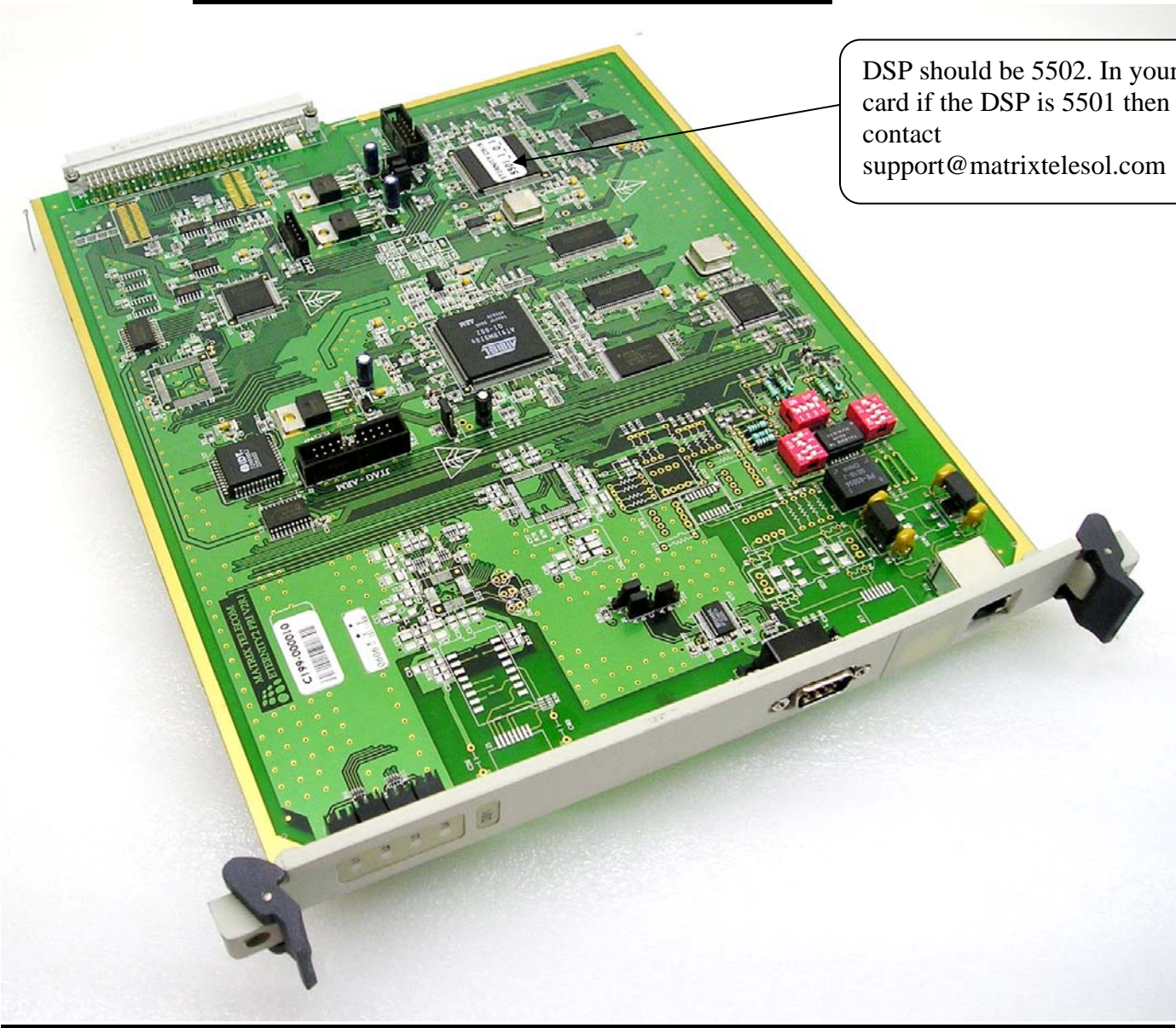
This mailer carries the information of upgradation possibilities and what all are the feature additions available in the new firmware version 6.

Upgradation Compatibility Chart

| Combination | Master Card | PRI card | Current software | V6 Software Upgradation | Required H/W changes |
|-------------|--|--|------------------|--|---|
| 1 | I-COP Master card  | Old PRI card  | V3 or V4 | With prior H/W changes upgradation is possible | I-COP master card is to be replaced by ARM master card Old PRI card is to be replaced by DS1 card EPROM modification is required on all the cards |
| 2 | I-COP Master card  | DS1 card  | V4 or V5 | With prior H/W changes upgradation is possible | I-COP master card is to be replaced by ARM master card EPROM modification is required is the current version is less than V5R11 |

| | | | | | |
|---|--|--|----|--|--|
| 3 | <p>ARM Master card</p>  | <p>DS1 card</p>  | V5 | Possible with out any hardware changes | <p>No changes are required</p> <p>EPROM modification is required is the current version is less than V5R11</p> |
| 4 | <p>Etlite CPU card</p>  | <p>Etlite DS1 card</p>  | V5 | Possible with out any hardware changes | No changes are required |

DS1 Hardware Compatibility for V6



DSP should be 5502. In your card if the DSP is 5501 then contact support@matrixtelesol.com

Feature Enrichment in V6

1. ISDN NT mode (PRI)
2. ISDN NT mode (BRI)
3. ISDN T1 support
4. Enhanced Routing Logic
5. More indexes in LCR
6. More Area Codes
7. ISDN Video Call
8. Call Disconnection Tone Detection
9. Calling Party Control on TWT (Hardware changes required)
10. Calling Party Control on SLT (Hardware changes required)
11. More indexes in routing group
12. Enhanced Jeeves
13. GSM card support
14. VOIP card support
15. Enhanced network logic
16. Peer-to-Peer calling
17. SIP calling
18. More number of Department groups
19. New key phone (EON-42S/P) support
20. Enhanced CLI based Routing and many more..

Thanks & Regards
Technical Support Team
Matrix Telecom, Waghodia, India
e-mail: support@MatrixTelesol.com

Disclaimer: The information contained in this e-mail and/or attachments to it may contain confidential or privileged information. Unauthorized use, disclosure or copying is strictly prohibited and may constitute unlawful act and can possibly attract legal action, civil and/or criminal. The contents of this message need not necessarily reflect or endorse the views of Matrix Telecom Pvt. Ltd on any subject matter. Any action taken or omitted to be taken based on this message is entirely at your risk and neither the originator of this message nor Matrix Telecom Pvt. Ltd takes any responsibility or liability towards the same. If you are not the intended recipient, please notify us immediately and permanently delete the message.